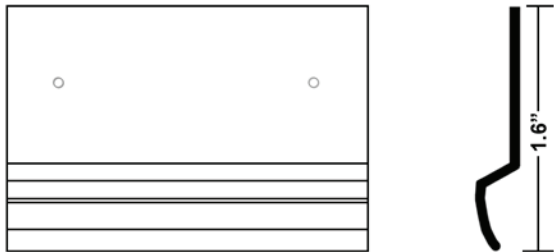


**Standard Detail:**



High impact poly vinyl base cap color matched to Eco-Grip Floor.

**Premium Upgrade Detail:**

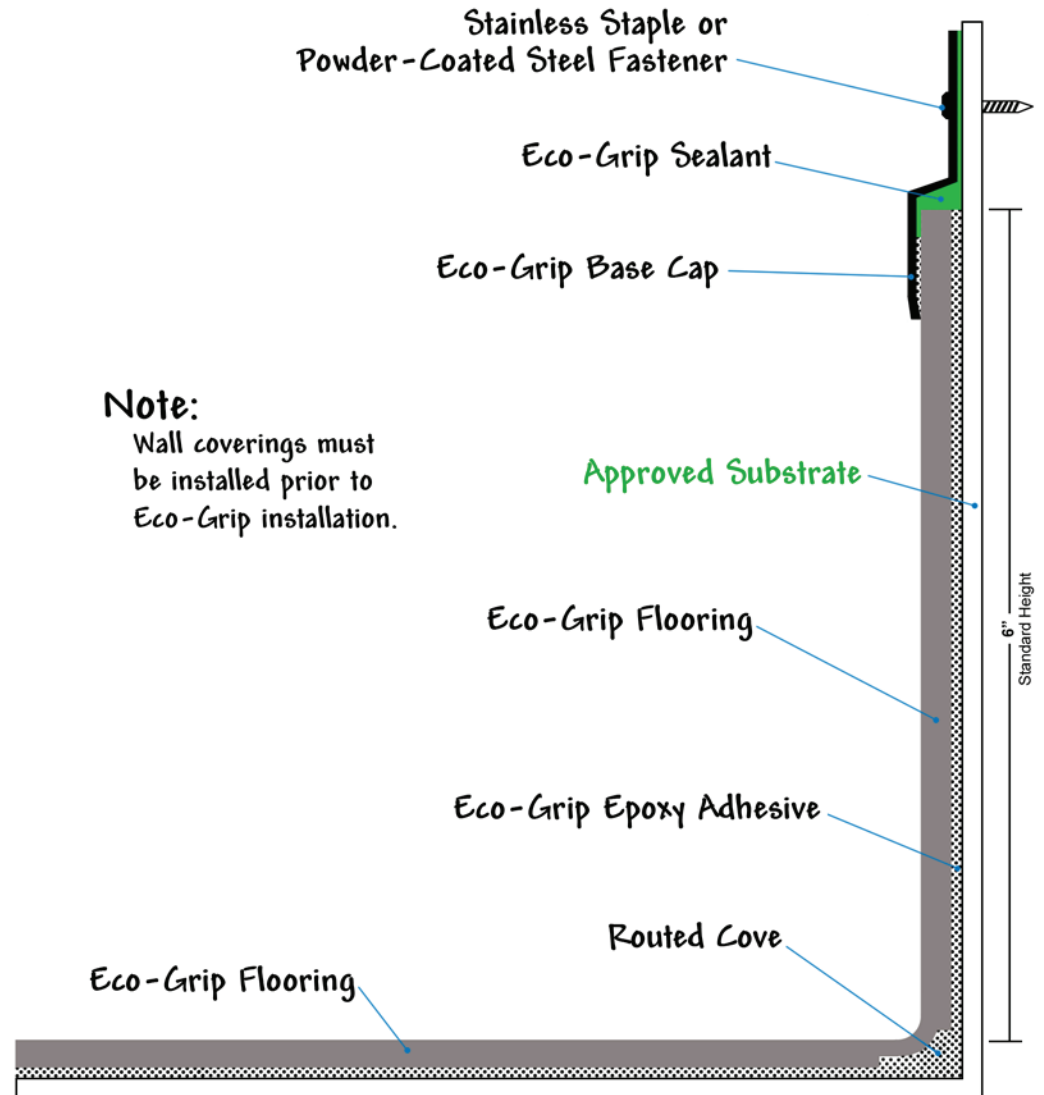


(Pre-drilled Holes Every 6")

Aluminum or Stainless Steel base cap.

**Note:**

Wall coverings must be installed prior to Eco-Grip installation.



All materials provided by third party are shown in **green type**.

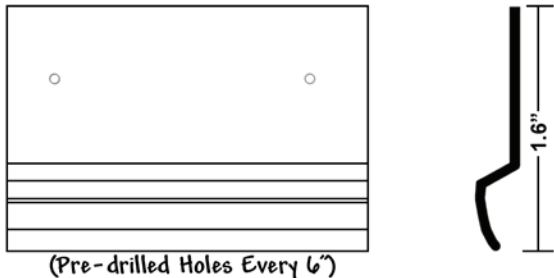
BASE CAP DETAIL A ROUTED COVE DETAIL			
Allied Industries International, Inc.			
DATE	REVISION	BY	DATE: 5-30-14
5-30-14	ALL NEW	MC	DRAWN BY: MC
12-17-16	REVISION 1	MC	SCALE: NONE
			FS-001A

**Standard Detail:**



High impact poly vinyl base cap color matched to Eco-Grip Floor.

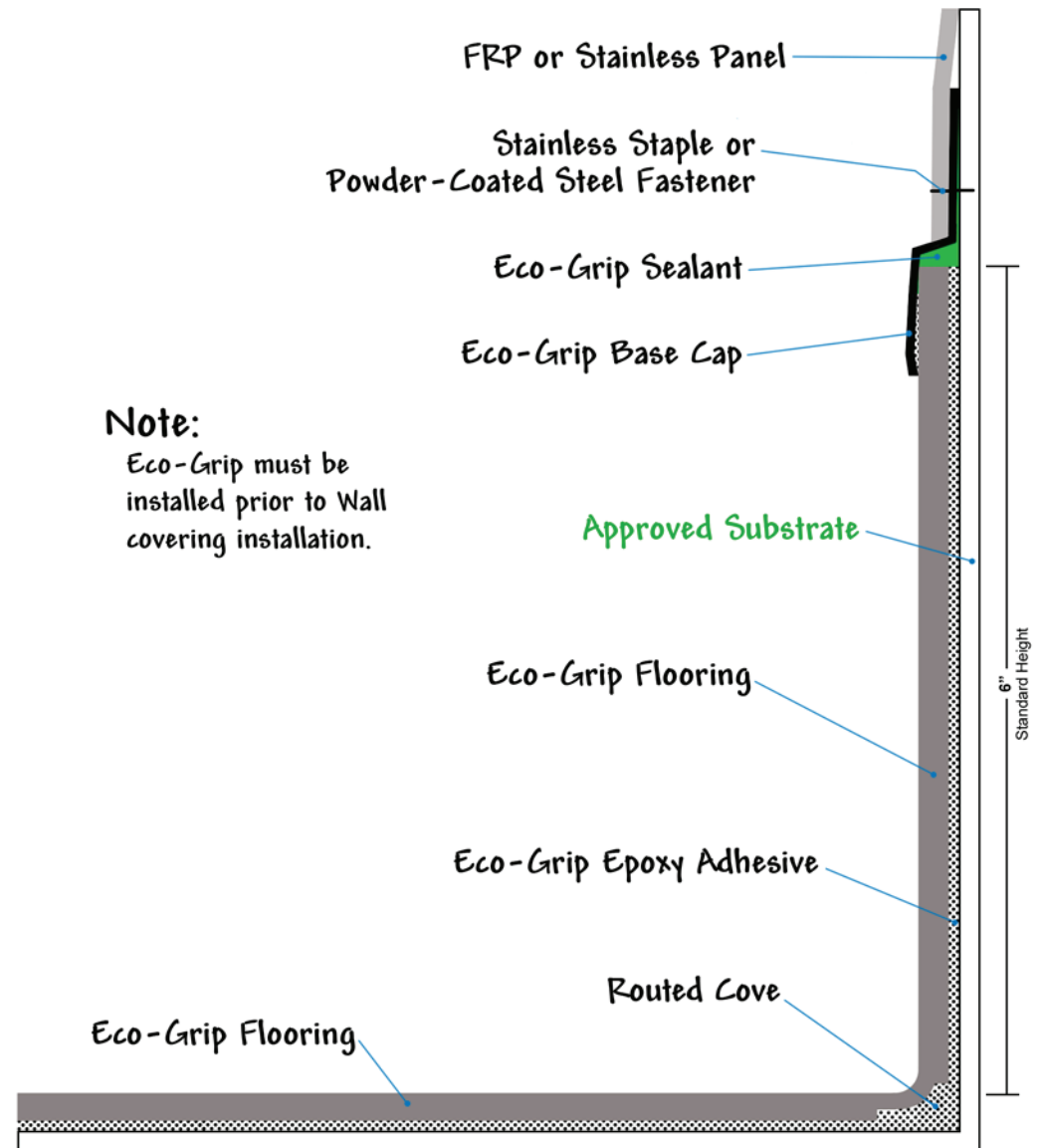
**Premium Upgrade Detail:**



Aluminum or Stainless Steel base cap.

**Note:**

Eco-Grip must be installed prior to Wall covering installation.

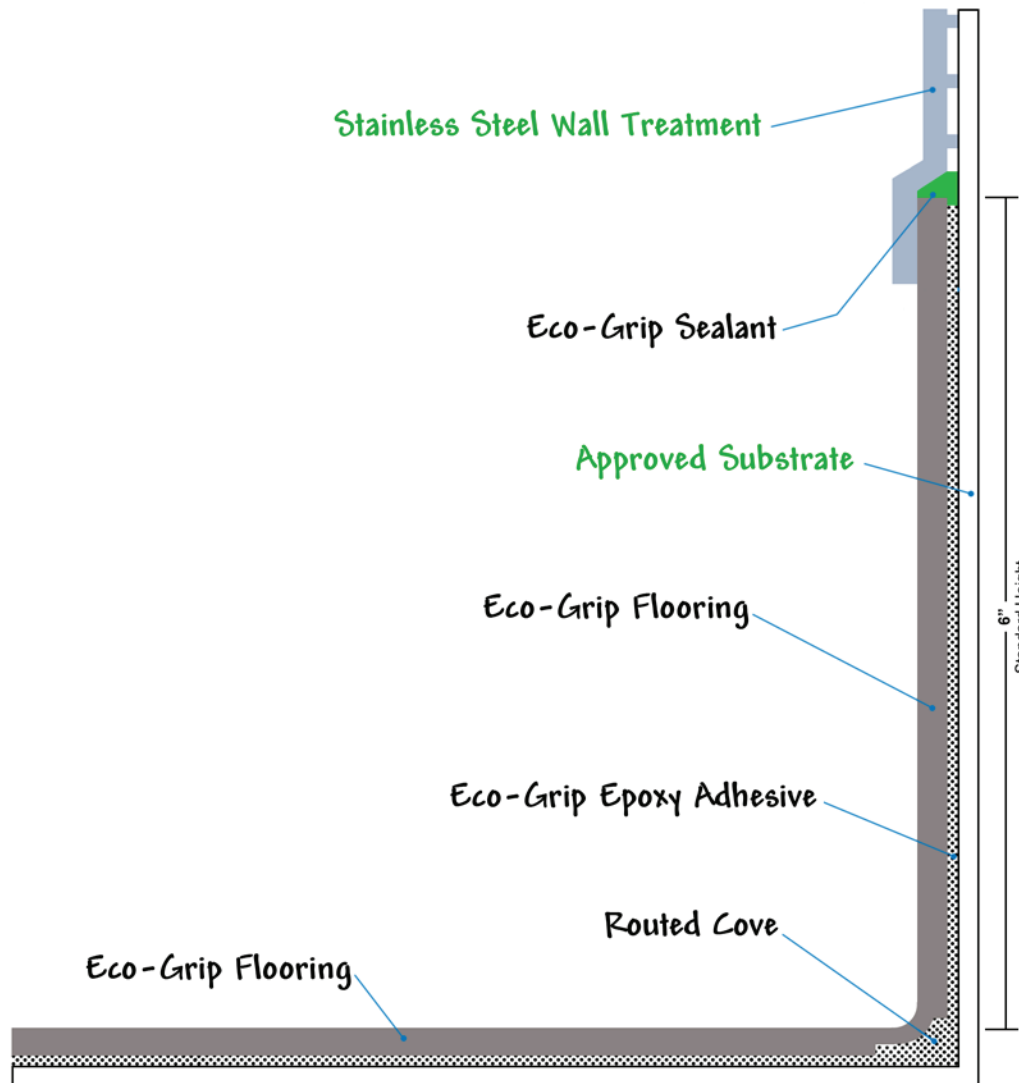


All materials provided by third party are shown in green type.

BASE CAP DETAIL B ROUTED COVE DETAIL			
Allied Industries International, Inc.			
DATE	REVISION	BY	DATE: 5-30-14
5-30-14	ALL NEW	MC	DRAWN BY: MC
12-17-16	REVISION 1	MC	SCALE: NONE
			FS-001B



Allied Industries™  
International, Inc



All materials provided by third party are shown in green type.

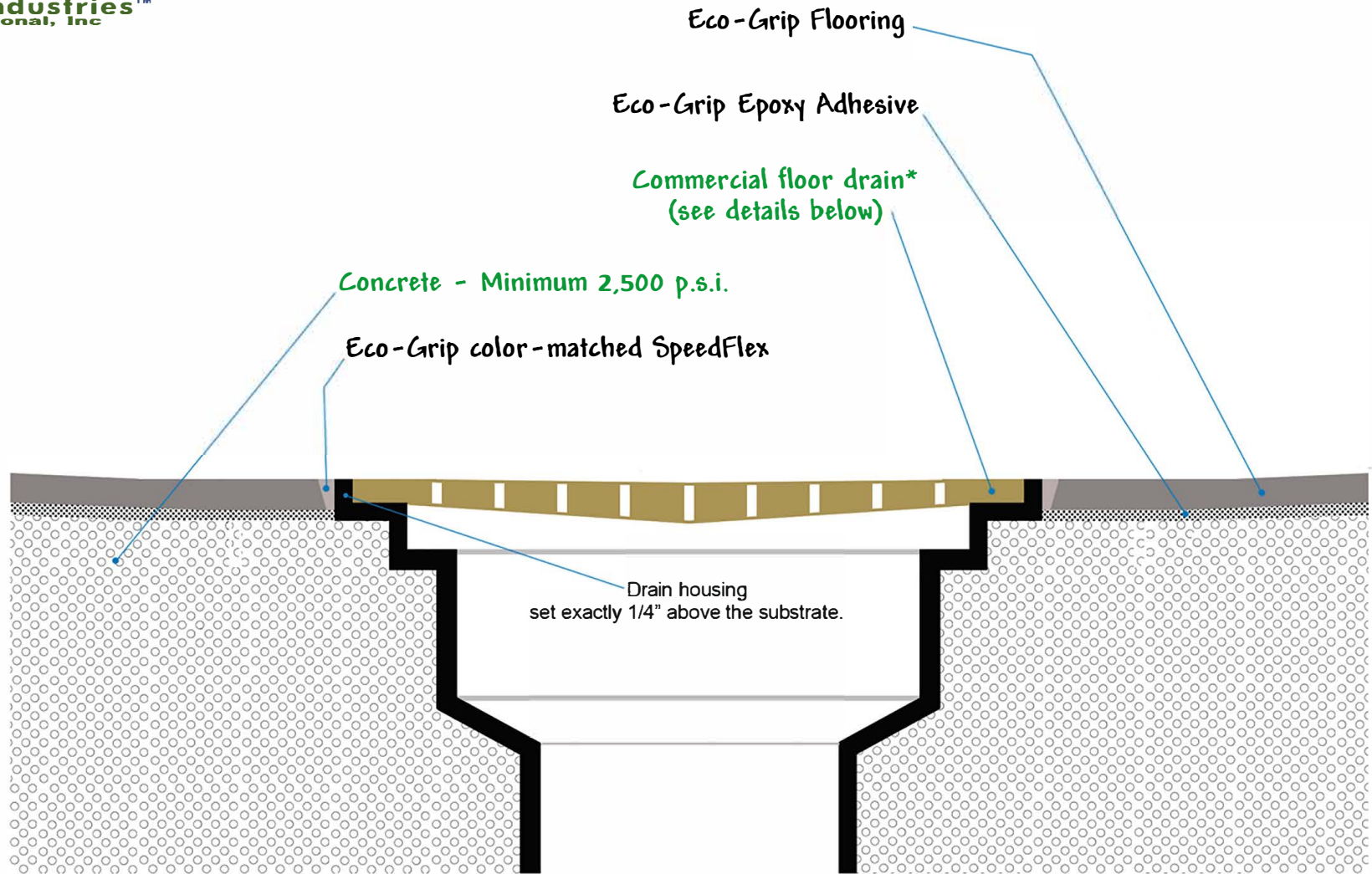


1-800-767-5754

**STAINLESS STEEL TERMINATION  
BASE DETAIL**

Allied Industries International, Inc.

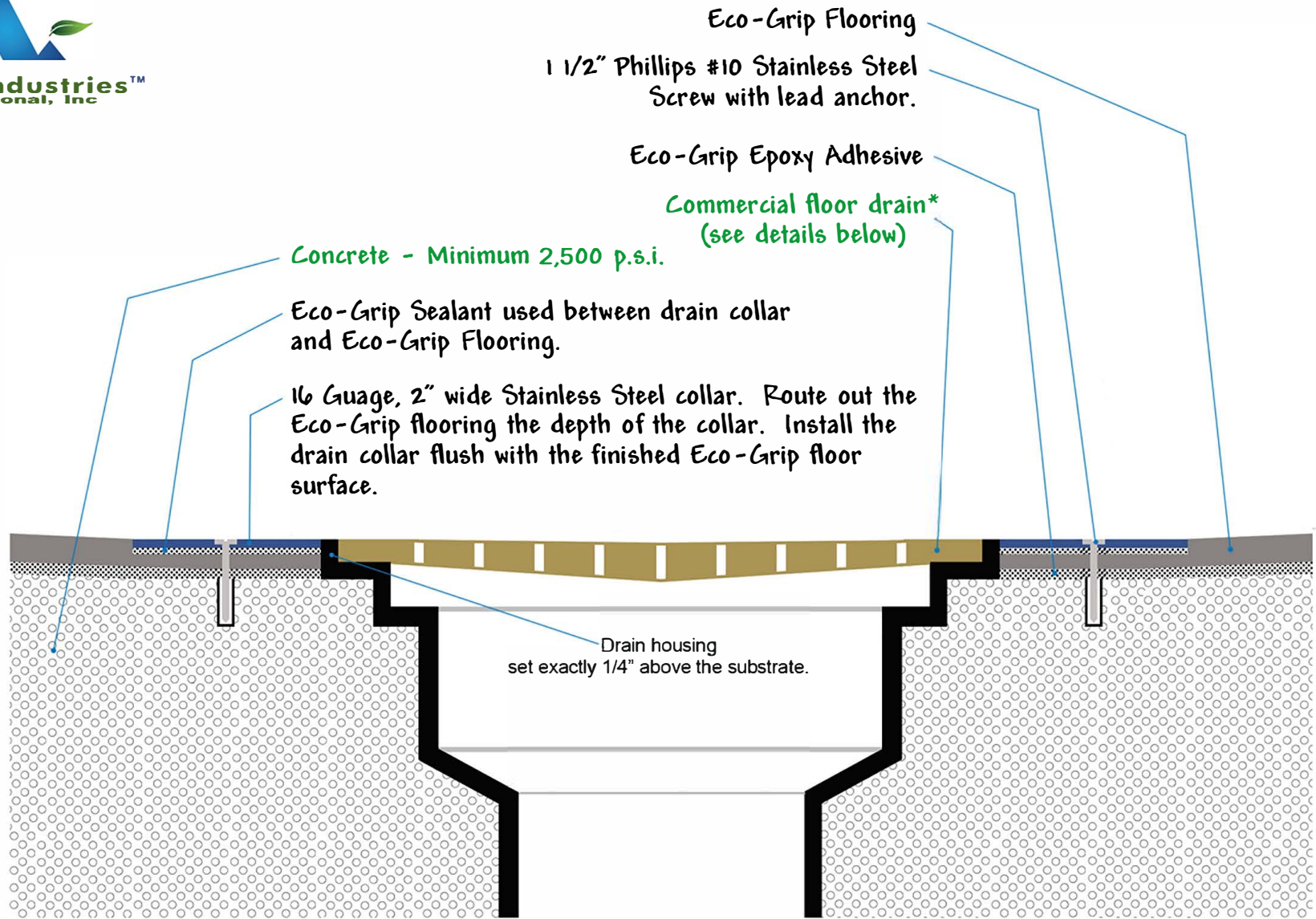
DATE	REVISION	BY	DATE: 5-30-14
5-30-14	ALL NEW	MC	DRAWN BY: MC
12-17-16	REVISION 1	MC	SCALE: NONE
			FS-003



\*Commercial floor drain with a strainer lid which is not mechanically fastened to the drain housing or with a strainer lid that is greater than 1/8" thick.

All materials provided by third party are shown in green type.

SPEEDFLEX COLLAR STANDARD FLOOR DRAIN DETAIL			
Allied Industries International, Inc.			
DATE	REVISION	BY	DATE: 5-30-14
5-30-14	ALL NEW	MC	DRAWN BY: MC
9-20-14	REVISION 1	MC	SCALE: NONE
12-17-16	REVISION 2	MC	
			FS-004A



\*Commercial floor drain with a strainer lid which is not mechanically fastened to the drain housing or with a strainer lid that is greater than 1/8" thick.

All materials provided by third party are shown in green type.

STAINLESS COLLAR FLOOR DRAIN DETAIL			
Allied Industries International, Inc.			
DATE	REVISION	BY	DATE: 5-30-14
5-30-14	ALL NEW	MC	DRAWN BY: MC
9-20-14	REVISION 1	MC	SCALE: NONE
12-17-16	REVISION 2	MC	
			FS-004B





**Allied Industries**<sup>™</sup>  
International, Inc



Two Eco-Grip Flooring sheets  
butt together



Two Eco-Grip Flooring sheets with  
routed V-Groove 6mm wide at top



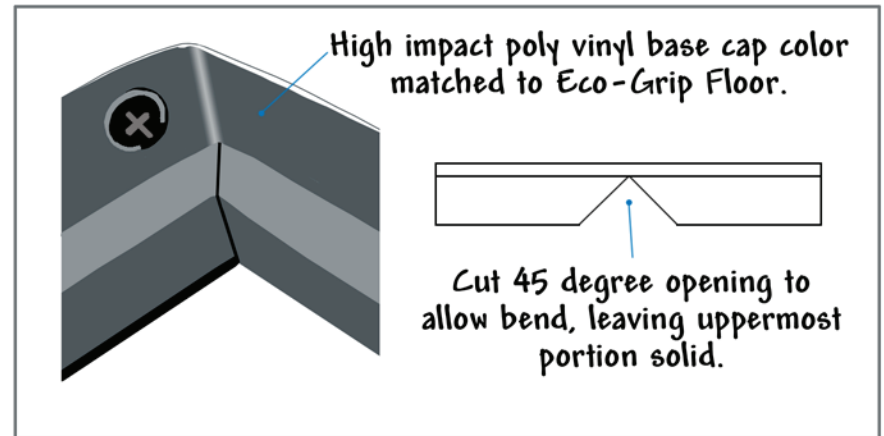
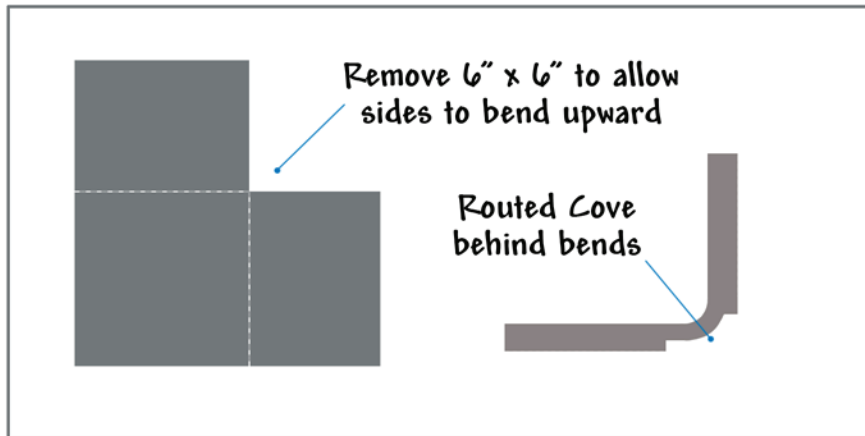
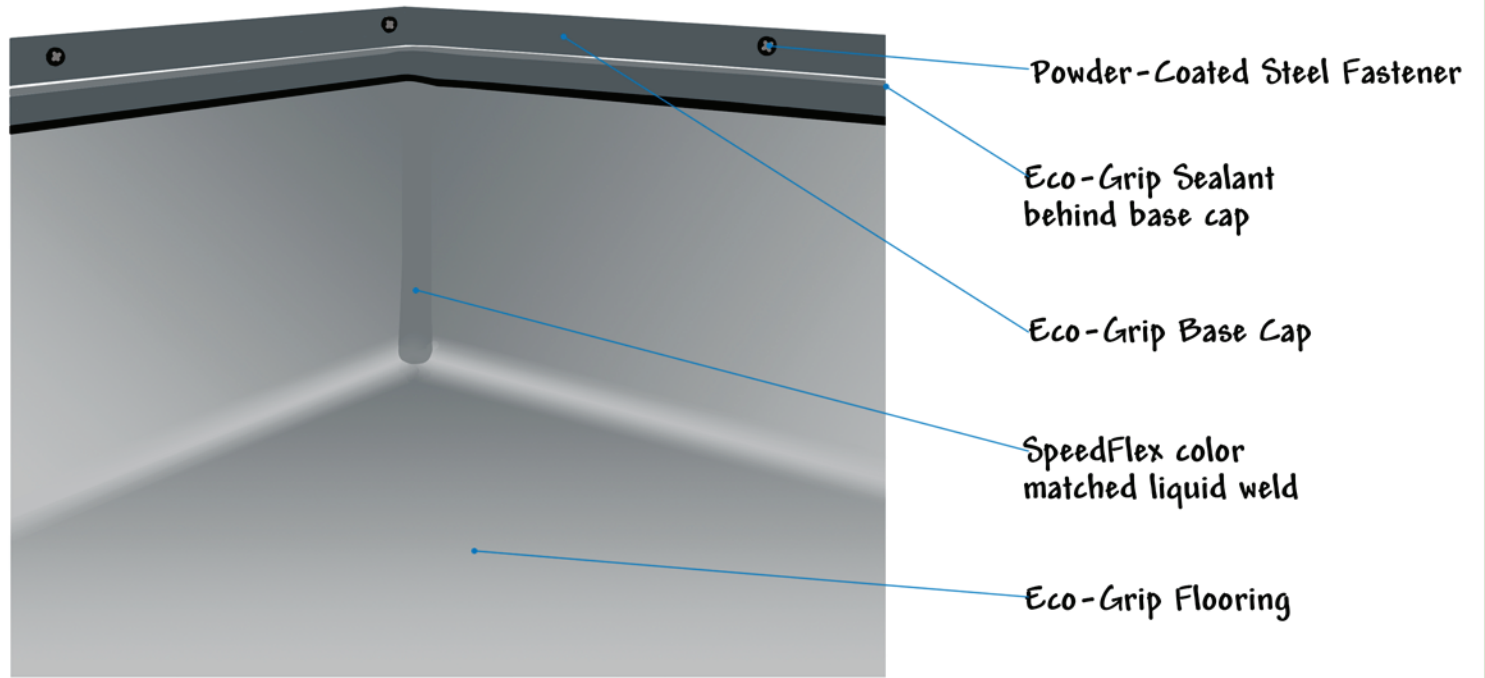
SpeedFlex color matched liquid weld



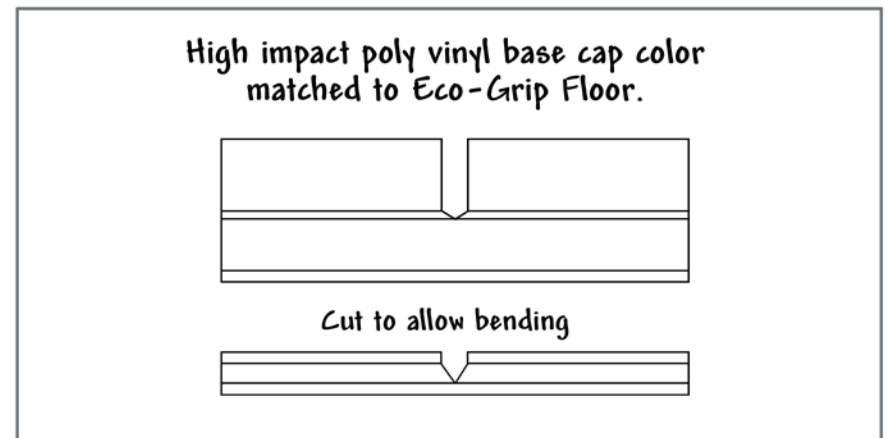
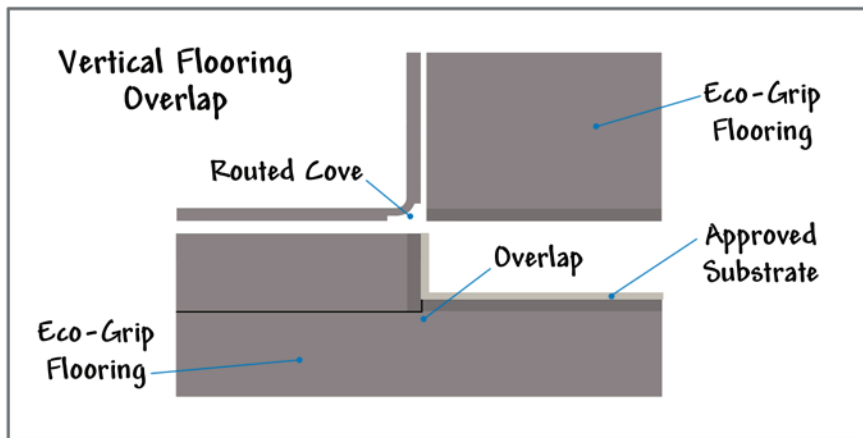
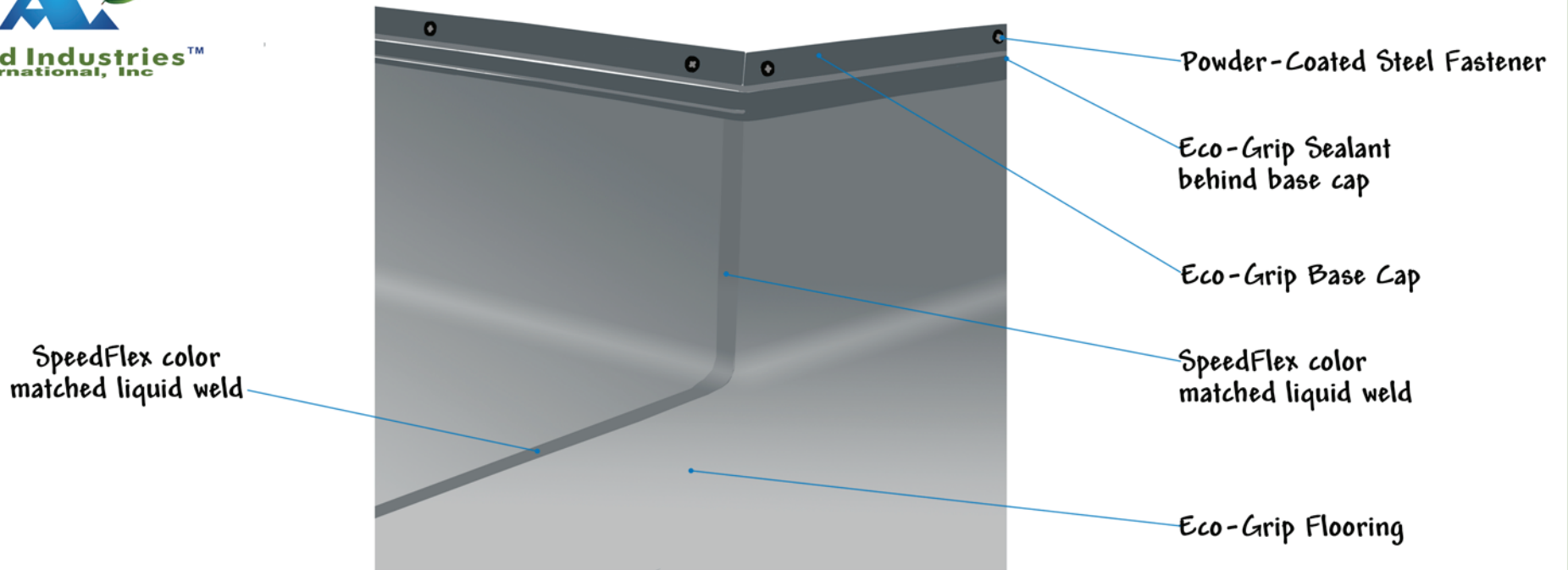
Eco-Grip Sheet with completed  
welded seam



SPEEDFLEX LIQUID WELD SEAM DETAIL			
Allied Industries International, Inc.			
DATE	REVISION	BY	DATE: 8-16-16
8-16-16	ALL NEW	MC	DRAWN BY: MC
12-17-16	REVISION 1	MC	SCALE: NONE
			FS-006



INSIDE CORNER DETAIL			
Allied Industries International, Inc.			
DATE	REVISION	BY	DATE: 5-30-14
5-30-14	ALL NEW	MC	DRAWN BY: MC
12-17-16	REVISION 1	MC	SCALE: NONE
			FS-007

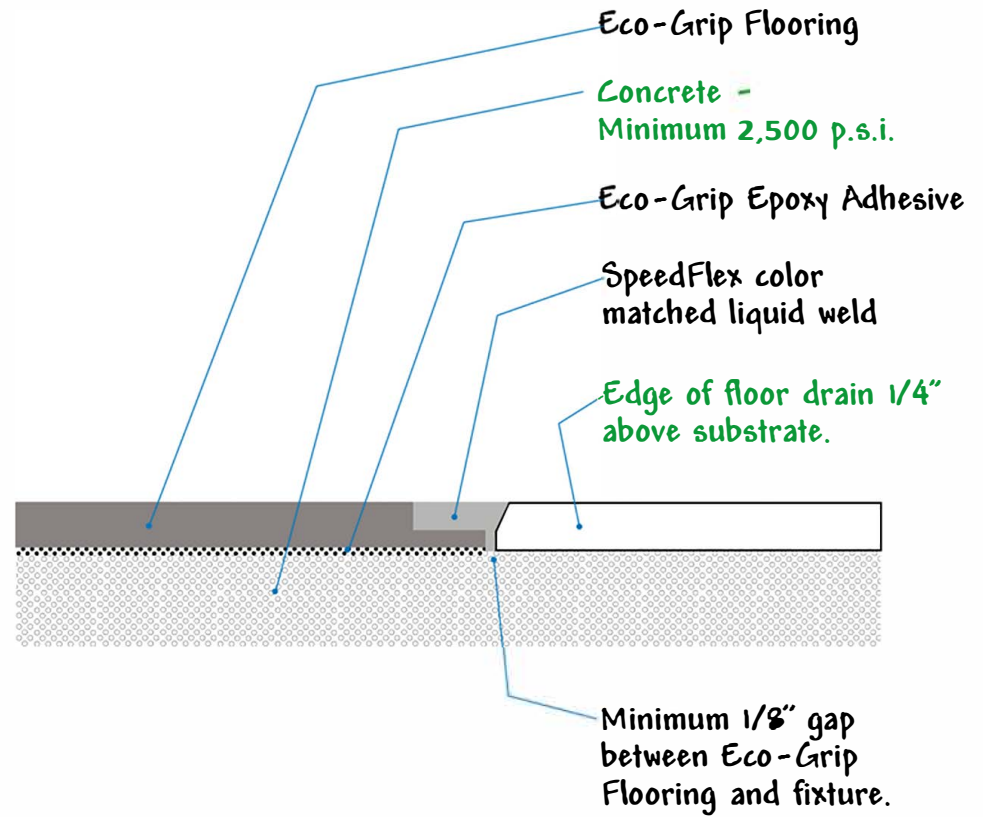
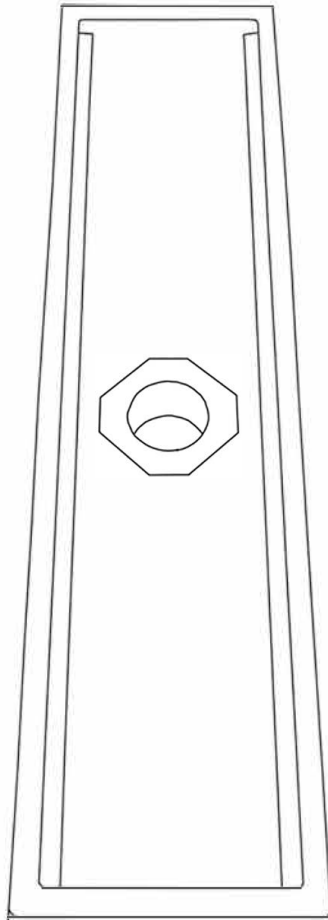


OUTSIDE CORNER DETAIL			
Allied Industries International, Inc.			
DATE	REVISION	BY	DATE: 5-30-14
5-30-14	ALL NEW	MC	DRAWN BY: MC
12-17-16	REVISION 1	MC	SCALE: NONE
			FS-008





**Allied Industries™**  
International, Inc



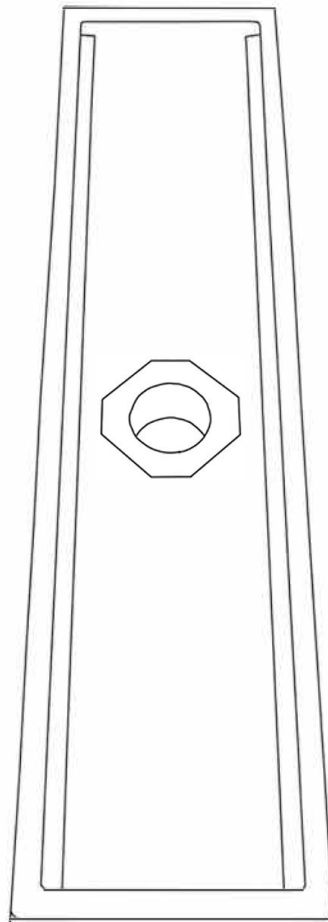
All materials provided by third party are shown in green type.



SPEEDFLEX FLANGE TRENCH DRAIN DETAIL			
Allied Industries International, Inc.			
DATE	REVISION	BY	DATE: 5-30-14
5-30-14	ALL NEW	MC	DRAWN BY: MC
12/17/16	REVISION 1	MC	SCALE: NONE
			FS-009



Allied Industries™  
International, Inc



Eco-Grip Epoxy Adhesive

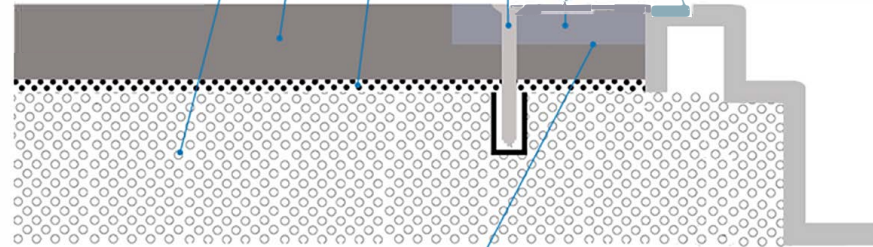
Eco-Grip Flooring

Concrete - Minimum  
2500 p.s.i.

1 1/2" Phillips #10  
Stainless Steel Screw  
with lead anchor.

16 Gauge, Stainless  
Steel flange.

Edge Commercial  
Trench floor drain 1/4"  
above the substrate



Eco-Grip Sealant used between  
flange and Eco-Grip Flooring.

Route out the Eco-Grip flooring the depth of the  
flange. Install the flange flush with the finished  
Eco-Grip floor surface.

All materials provided by third  
party are shown in green type.

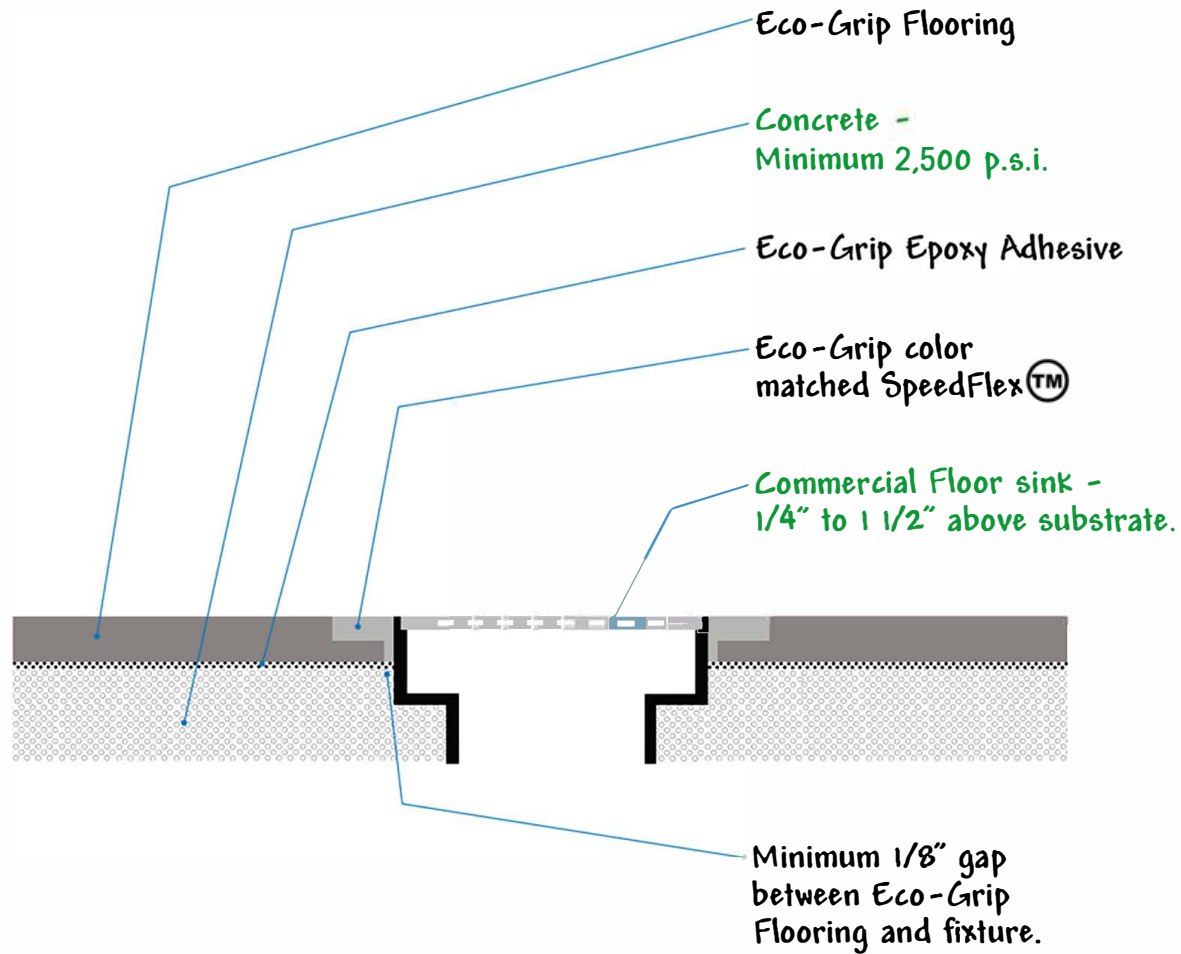


**STAINLESS FLANGE TRENCH DRAIN DETAIL**

Allied Industries International, Inc.			
DATE	REVISION	BY	DATE: 5-30-14
5-30-14	ALL NEW	MC	DRAWN BY: MC
12-17-16	REVISION 1	MC	SCALE: NONE
			FS-010



**Allied Industries™**  
International, Inc



All materials provided by third party are shown in green type.

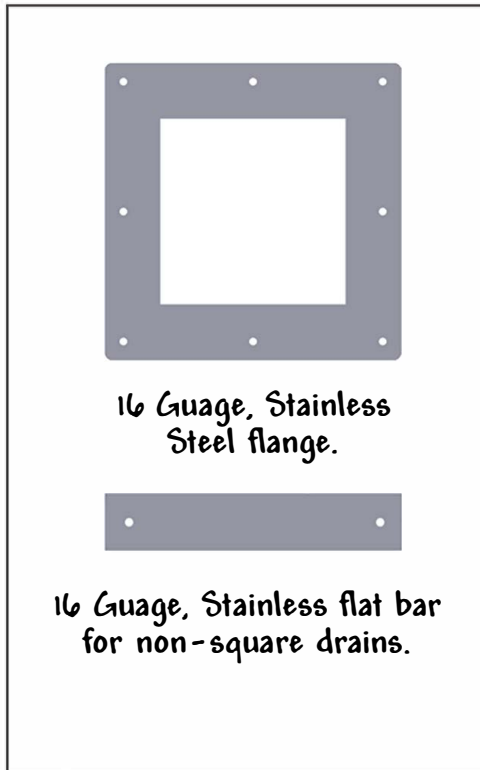


1-800-767-5754

STANDARD SPEEDFLEX FLANGE FLOOR SINK DETAIL			
Allied Industries International, Inc.			
DATE	REVISION	BY	DATE: 5-30-14
5-30-14	ALL NEW	MC	DRAWN BY: MC
9-20-14	REVISION 1	MC	SCALE: NONE
12-17-16	REVISION 2	MC	
			FS-011



**Allied Industries™**  
International, Inc



16 Guage, Stainless Steel flange.

1 1/2" Phillips #10 Stainless Steel Screw with lead anchor.

Concrete -Minimum 2,500 p.s.i.

Eco-Grip Sealant used between flange and Eco-Grip Flooring.

Commercial floor sink - 1/4" to 1 1/2" above substrate.

Eco-Grip Epoxy Adhesive

Eco-Grip Flooring



Route out the Eco-Grip flooring the depth of the flange. Install the flange flush with the finished Eco-Grip floor surface.

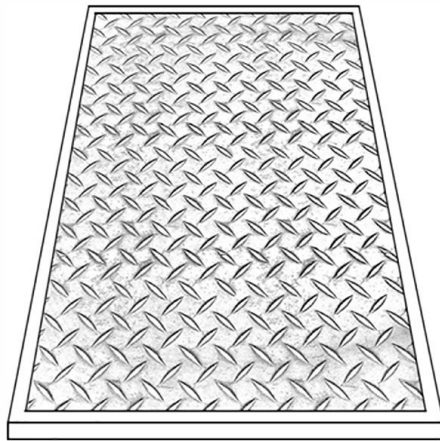
All materials provided by third party are shown in green type.



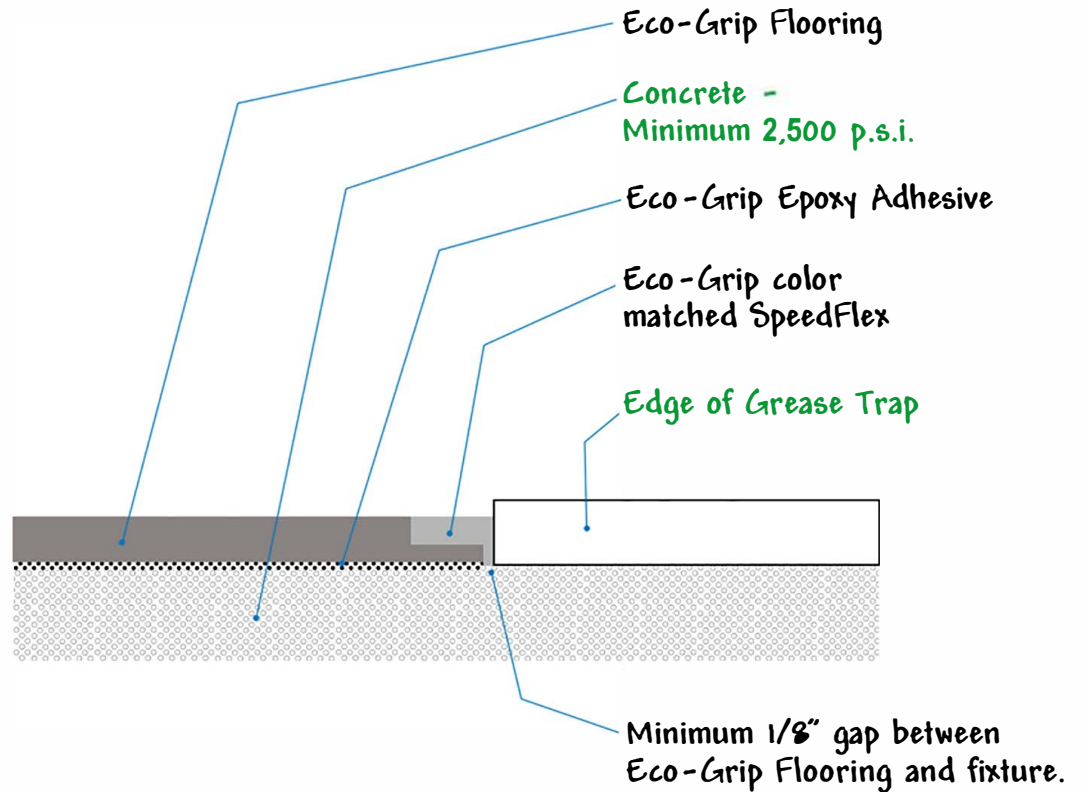
STAINLESS FLANGE FLOOR SINK DETAIL			
Allied Industries International, Inc.			
DATE	REVISION	BY	DATE: 5-30-14
5-30-14	ALL NEW	MC	DRAWN BY: MC
9-20-14	REVISION 1	MC	SCALE: NONE
12-17-16	REVISION 2	MC	
			FS-012



**Allied Industries™**  
International, Inc



Grease Trap



All materials provided by third party are shown in green type.

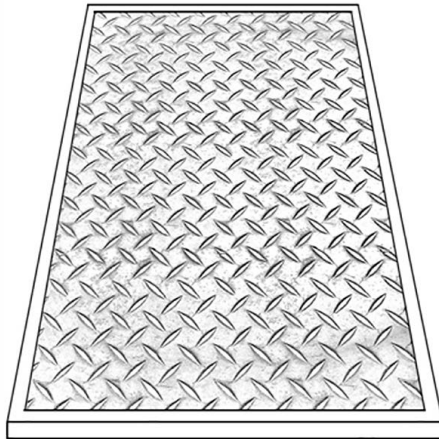


SPEEDFLEX FLANGE GREASE TRAP DETAIL			
Allied Industries International, Inc.			
DATE	REVISION	BY	DATE: 5-30-14
5-30-14	ALL NEW	MC	DRAWN BY: MC
12-17-16	REVISION 1	MC	SCALE: NONE
			FS-013

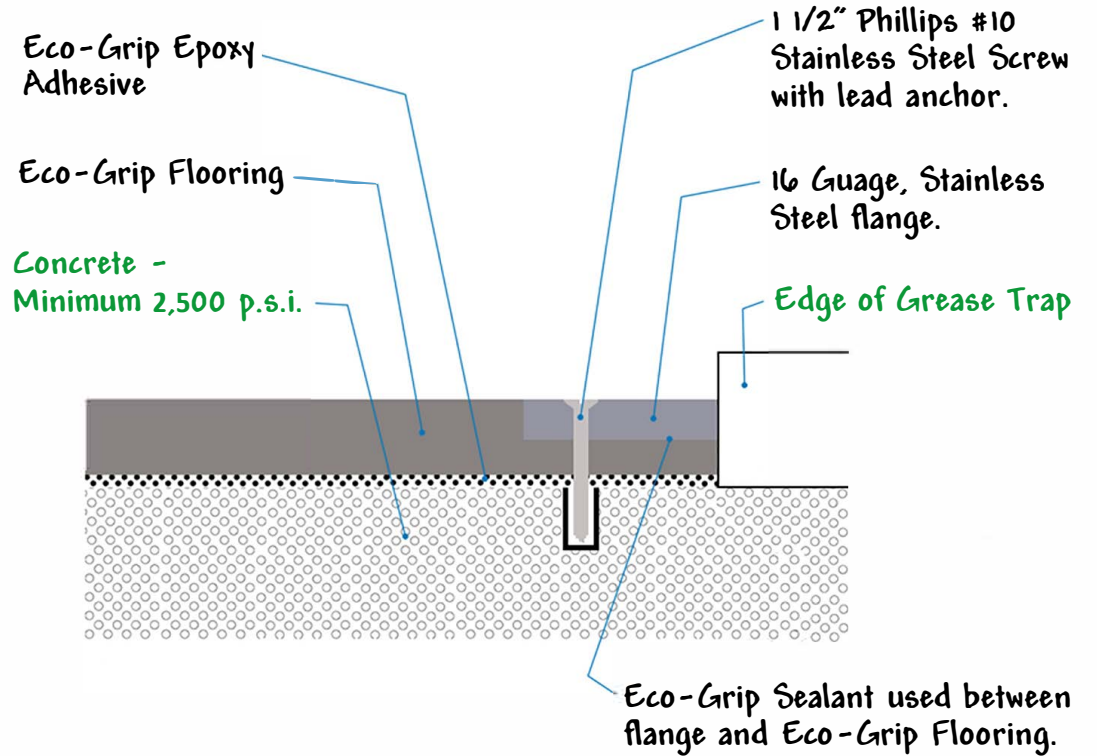




**Allied Industries™**  
International, Inc



Grease Trap

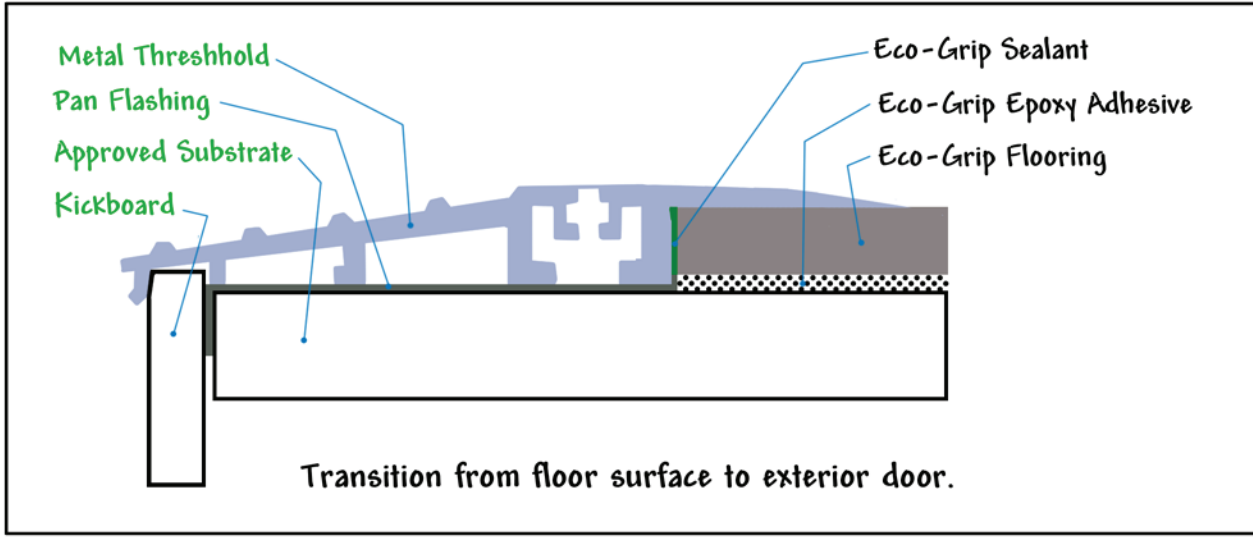
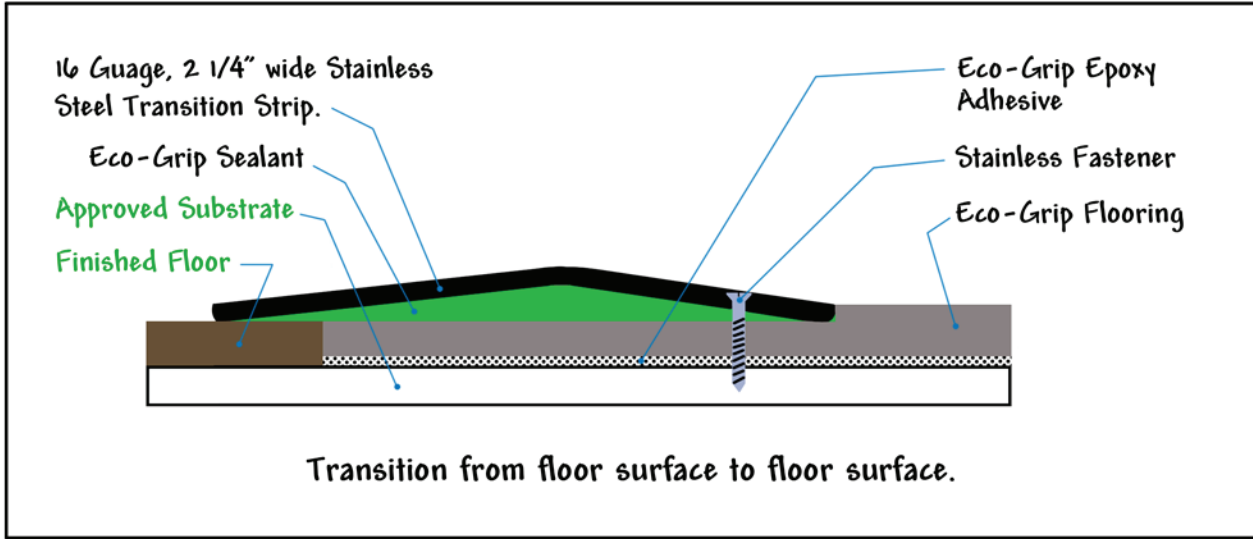


Route out the Eco-Grip flooring the depth of the flange. Install the flange flush with the finished Eco-Grip floor surface.

All materials provided by third party are shown in green type.

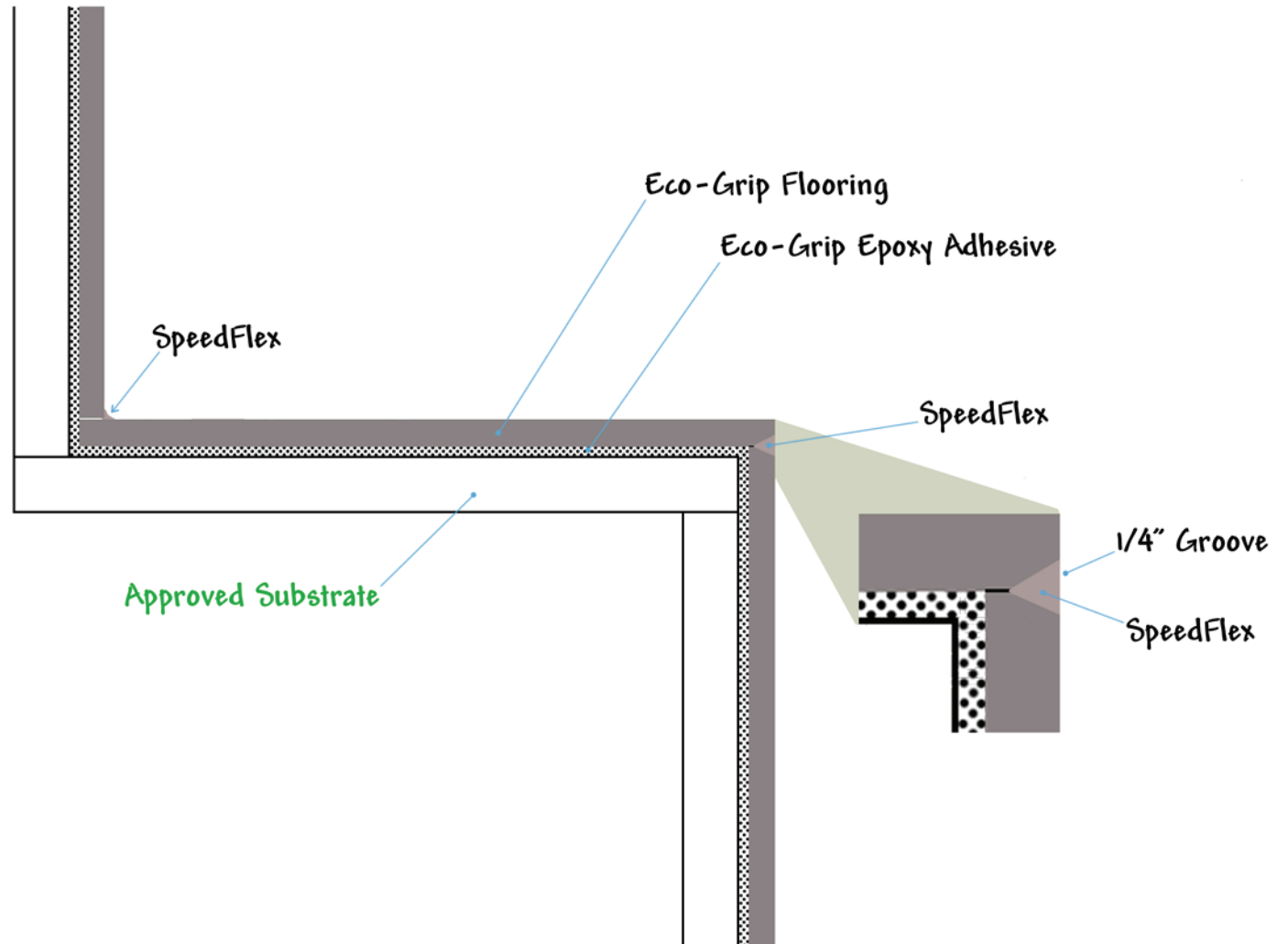


STAINLESS FLANGE GREASE TRAP DETAIL			
Allied Industries International, Inc.			
DATE	REVISION	BY	DATE: 5-30-14
5-30-14	ALL NEW	MC	DRAWN BY: MC
12-17-16	REVISION 1	MC	SCALE: NONE
			FS-014



All materials provided by third party are shown in green type.

TERMINATION POINT DETAIL			
Allied Industries International, Inc.			
DATE	REVISION	BY	DATE: 5-30-14
8-20-14	ALL NEW	MC	DRAWN BY: MC
12-17-16	REVISION 1	MC	SCALE: NONE
			FS-015



All materials provided by third party are shown in green type.

STAIR STEP DETAIL			
Allied Industries International, Inc.			
DATE	REVISION	BY	DATE: 5-30-14
3-11-17	ALL NEW	MC	DRAWN BY: MC
		MC	SCALE: NONE
			FS-017